



New Dual Band PLL



The new WDL-PLL is the professional solution to receive the low- & high Ku-Band simultaneously with high LO stability.

All our LNBS are individually hand tuned to get the very best performance available for each unit. Quality and long term reliability is also essential. Therefore are all LNBS tested according to a very extensive test program, which includes heating, cooling, water-proof testing and rigorous electrical testing.

Swedish Microwave was founded 1986 and is today a leading manufacturer of professional LNBS (Low Noise Block converters). The company is located in Motala Sweden, and to date the products are installed in more than 100 countries.

All work is in-house allowing custom-design products, short delivery times, high flexibility, quick service and support.

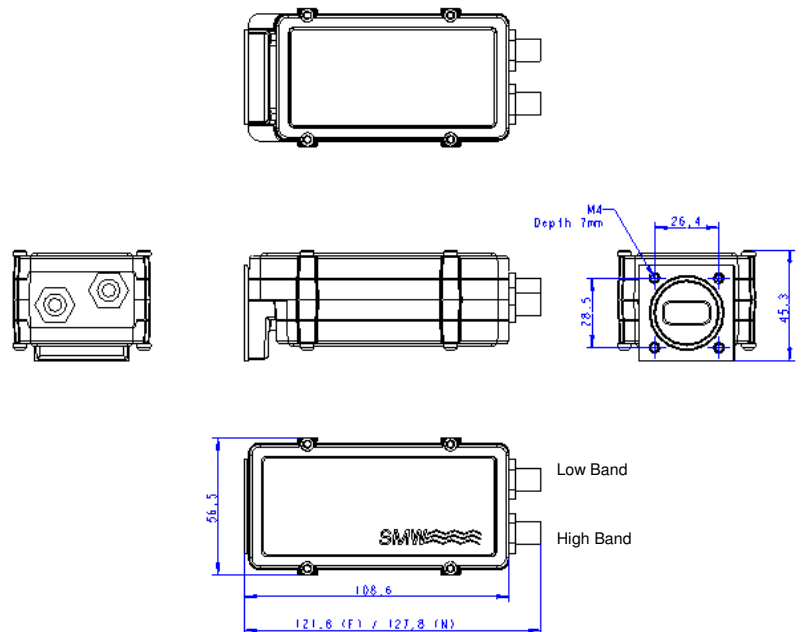
SPECIFICATION SMW WDL-PLL

Frequency range Low & High	10.7 - 11.7 & 11.7 - 12.75 GHz
LO frequency	9.75 GHz (Low band) 10.6 GHz (High band)
Output frequency	950 - 1950 MHz (Low band) 1100 - 2150 MHz (High band)
Spurious signal in	Low band -60 dBm typ. @ 1700 MHz High band -70 dBm typ. @ 1700 MHz
Gain typ.	57 dB (50 dB min.)
Gain variation max.	±4 dB/each band ±0.4 dB within 30 MHz
Noise figure, typ.	1.1 dB
LO radiation	-60 dBm
Image rejection	40 dB min.
P1 dB typ.	+15 dBm
IP3 typ.	+25 dBm
Input flange	WR-75 waveguide
Output connectors (waterproof)	F-connectors 75 ohm, N-connectors 50 ohm or SMA-connectors 50 ohm
Input VSWR	2.3:1 max
Output VSWR	2.1:1 max
DC power	12-20 V / 370 mA max (either one output or both outputs)
Operating temperature	-40 to +80 °C
Storage temperature	-40 to +80 °C
Dimensions	122 (127 N) x 56 x 44 mm
Weight	335 g (F-connectors) 371 g (N-connectors)
Internal reference	
LO stability (over temp.*)	±10 kHz (±1 ppm) or ±25 kHz (±2.5 ppm)
LO Phase noise typ.	-75 dBc @ 1 kHz -78 dBc @ 10 kHz -90 dBc @ 100 kHz -120 dBc @ >1 MHz

Options SMA-input (via transition)

Enclosed accessories O-ring
Screw M4 x 8 4 pcs

*±25 kHz within -40° to +60 °C
±10 kHz within -10° to +70 °C



Specifications are subject to change without notice. General terms Orgalime S 2000. Products from Swedish Microwave AB are made for commercial use.

2011-11-21