

Universal Ku-band 8W BUC

MODEL No. NJT5218 series

< Features >

- * **Full Ku-band Coverage**
 - RF Frequency: 13.75 to 14.50 GHz
- * **High Efficiency & Low Distortion**
 - P1dB: +39 dBm min. over temperature
 - IM3: -28 dBc @ Pout = +36 dBm
 - Power Consumption: 79 W
- * **Wide Operating Range of DC Power Operation**
 - Voltage Range: +18 to +60 VDC
- * **Compact Size & Light Weight**
 - Weight: 3.2kg
- * **LED Indicator**
- * **RoHS Compliance**



< Line-up >

Model No.	RF Frequency	Local Frequency	IF Frequency	Output Power @ P1dB	IF Connector	Power Supply	Port for Voltage Input	LED Indicator
NJT5218N	13.75 to 14.5 GHz (Universal Ku-band)	12.8 GHz	950 to 1,700 MHz	8W Linear (+39 dBm min.)	N-type	+24/+48 VDC (+18 to +60 VDC)	Same as IF Connector	Equipped
NJT5218F					F-type			
NJT5218NM					N-type			
NJT5218FM					F-type	AC Power Option	IF Connector (Separate Port)	
NJT5218NA					N-type			
NJT5218FA					F-type			

< Specifications >

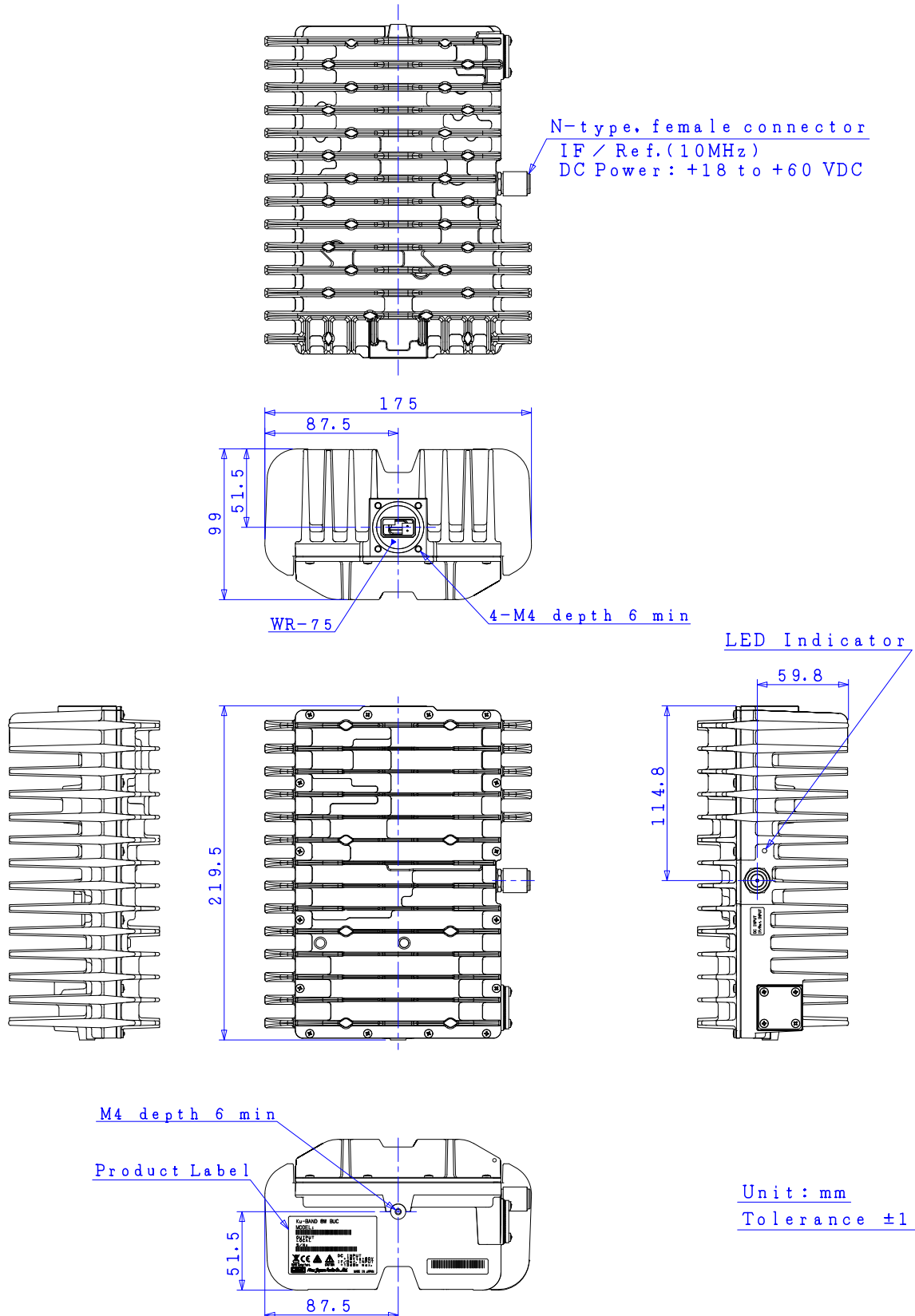
Item	Specifications
Output Interface	Waveguide, WR75 (with Groove)
Input Interface	N-type, female (50 ohm) [N-type IF Connector Model] F-type, female (75 ohm) [F-type IF Connector Model]
Output Power @ 1 dB G.C.P.	+39 dBm min. over temperature
ACPR	-28 dBc typ. @ Pout = +38 dB
Linear Gain	65 dB nom., 59 dB min.
Requirement for External Reference	[Frequency] 10 MHz (sine-wave) [Input Power] -5 to +5 dBm @ Input port [Phase Noise] -125 dBc/Hz max. @ 100 Hz -135 dBc/Hz max. @ 1 kHz -140 dBc/Hz max. @ 10 kHz
L.O. Phase Noise	-60 dBc/Hz max. @ 100 Hz -70 dBc/Hz max. @ 1 kHz -80 dBc/Hz max. @ 10 kHz -90 dBc/Hz max. @ 100 kHz -100 dBc/Hz max. @ 1 MHz
Receive Band Noise Density	-156 dBm/Hz max. @10.95 to 12.75 GHz, @ Pout <= +39 dBm
Input V.S.W.R.	2 : 1 max.
Output V.S.W.R.	2 : 1 max.
Power Requirement	+18 to +60 VDC Power
Power Consumption	79 W typ., 90 W max.
Mute	Shut off the HPA in case of L.O. unlocked or no 10 MHz reference signal
LED Indicator	GREEN: L.O. locked / RED: L.O. unlocked or no 10 MHz reference signal
Temperature Range (ambient)	[Operating] -40 to +55 °C [Storage] -40 to +75 °C
Waterproof/Dustproof (IP Code)	IP 67
Dimension & Housing	219.5 mm (L) x 175 mm (W) x 99 mm (H) [8.64" (L) x 6.89" (W) x 3.90" (H)] (without Interface Connectors and Screws)
Weight	3.2 kg [7.0 lbs]

*Note: The contents of this sheet are subject to change without notice.

(1/8)
Rev.05(May 2017) UniKu 8W BUC_NJT5218

< Outline Drawing >

N-type, female Connector Model / DC Input: IF Connector



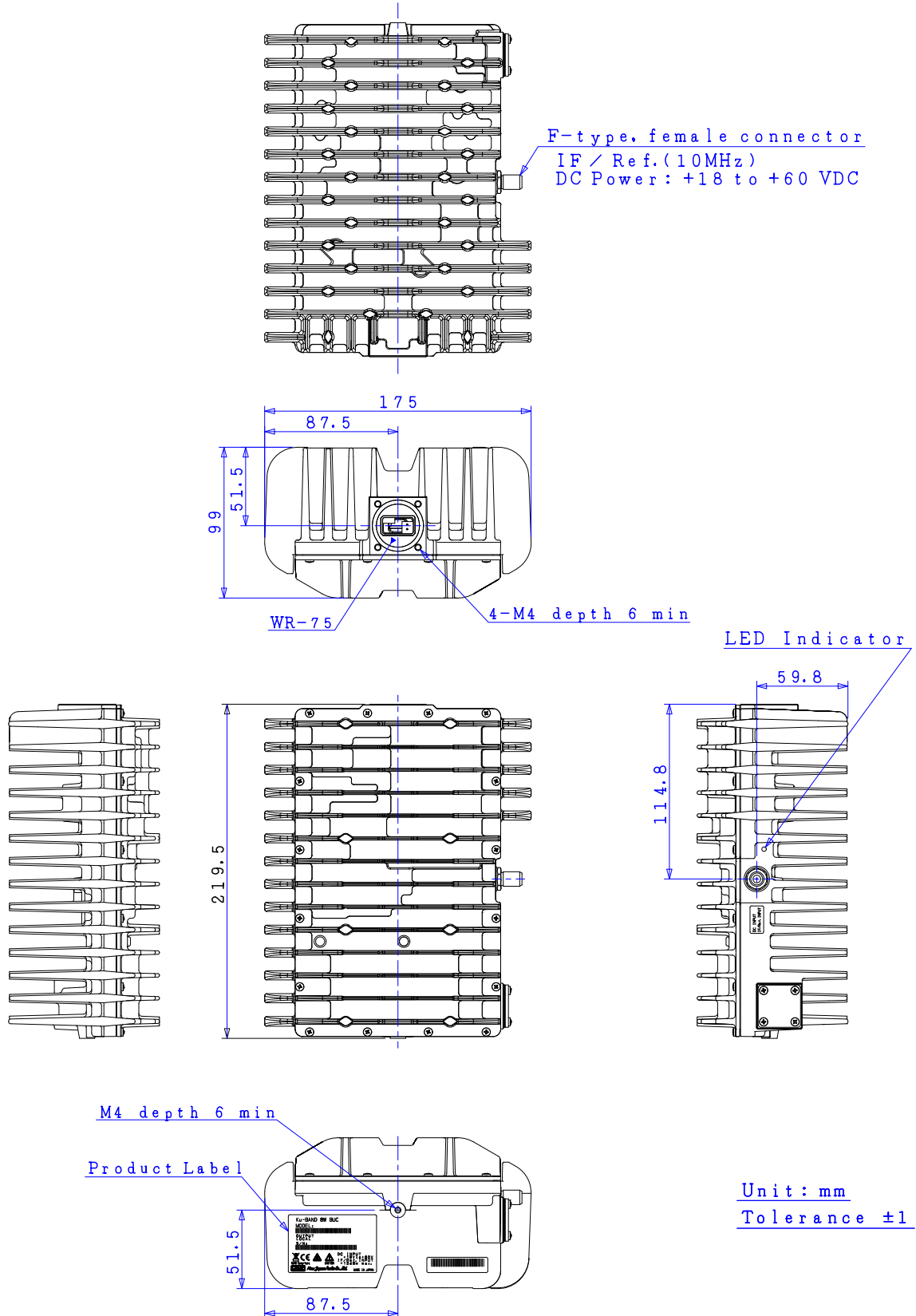
*Note: The contents of this sheet are subject to change without notice.

■ Universal Ku-band **8W** BUC

MODEL No. **NJT5218** series

< **Outline Drawing** >

F-type, female Connector Model / DC Input: IF Connector



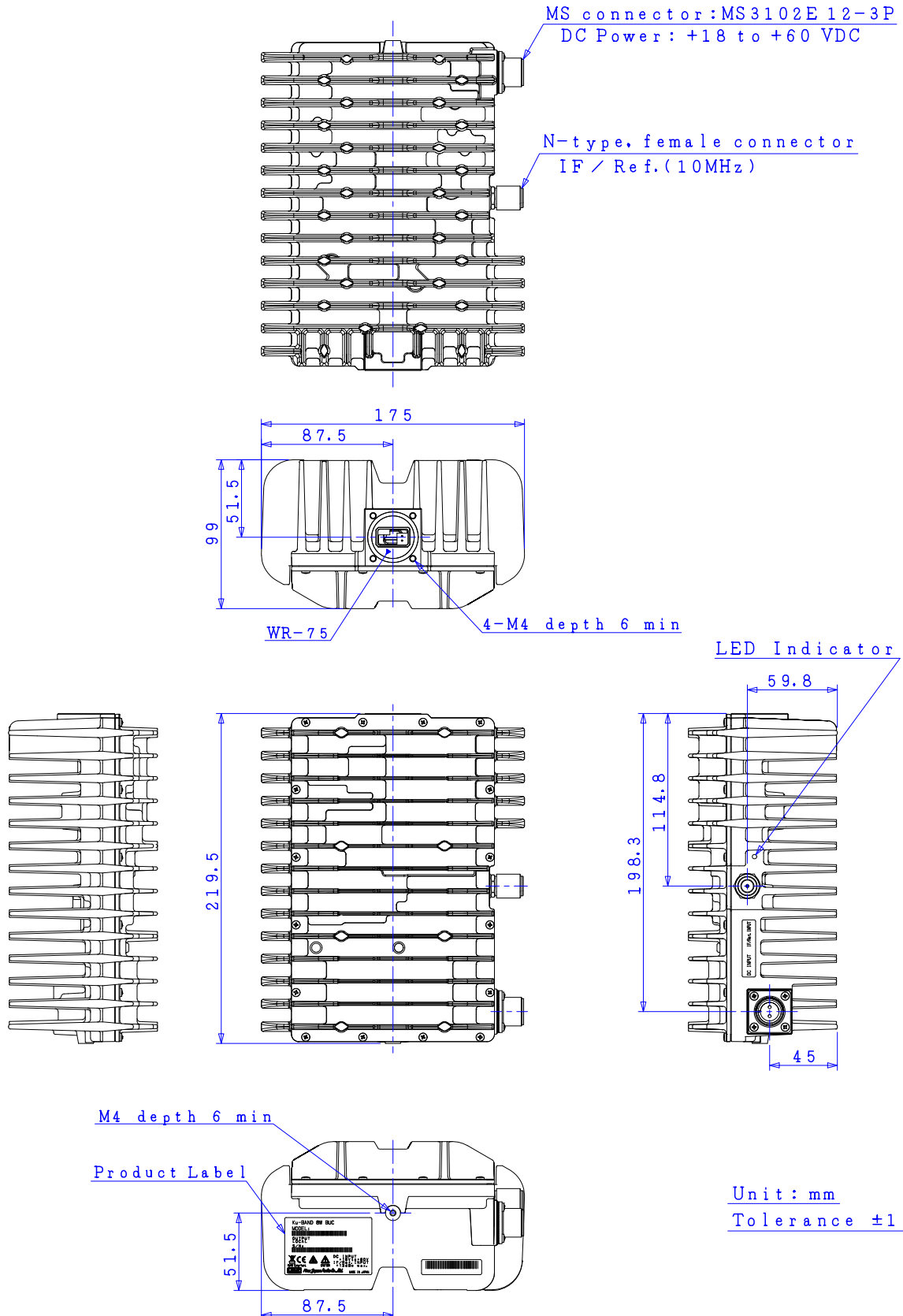
*Note: The contents of this sheet are subject to change without notice.

■ Universal Ku-band **8W** BUC

MODEL No. **NJT5218** series

< **Outline Drawing** >

N-type, female Connector Model / DC Input: MS Connector



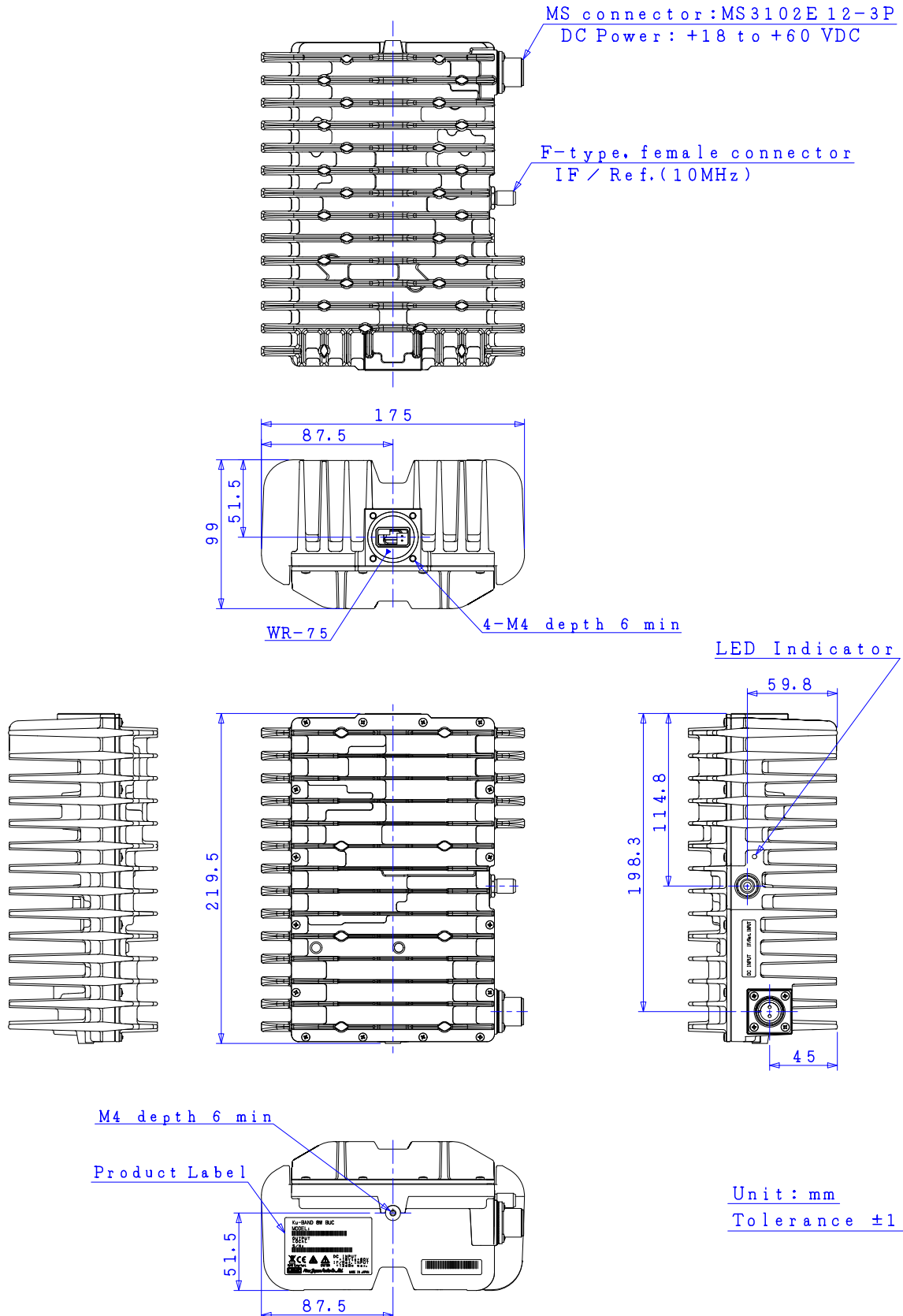
*Note: The contents of this sheet are subject to change without notice.

Universal Ku-band 8W BUC

MODEL No. **NJT5218** series

< Outline Drawing >

F-type, female Connector Model / DC Input: MS Connector



*Note: The contents of this sheet are subject to change without notice.

(5/8)
Rev.05(May 2017) UniKu 8W BUC_NJT5218

JRC New Japan Radio Co., Ltd.

Microwave Division

URL: <http://micro.njr.com> email: mcsales@njr.co.jp

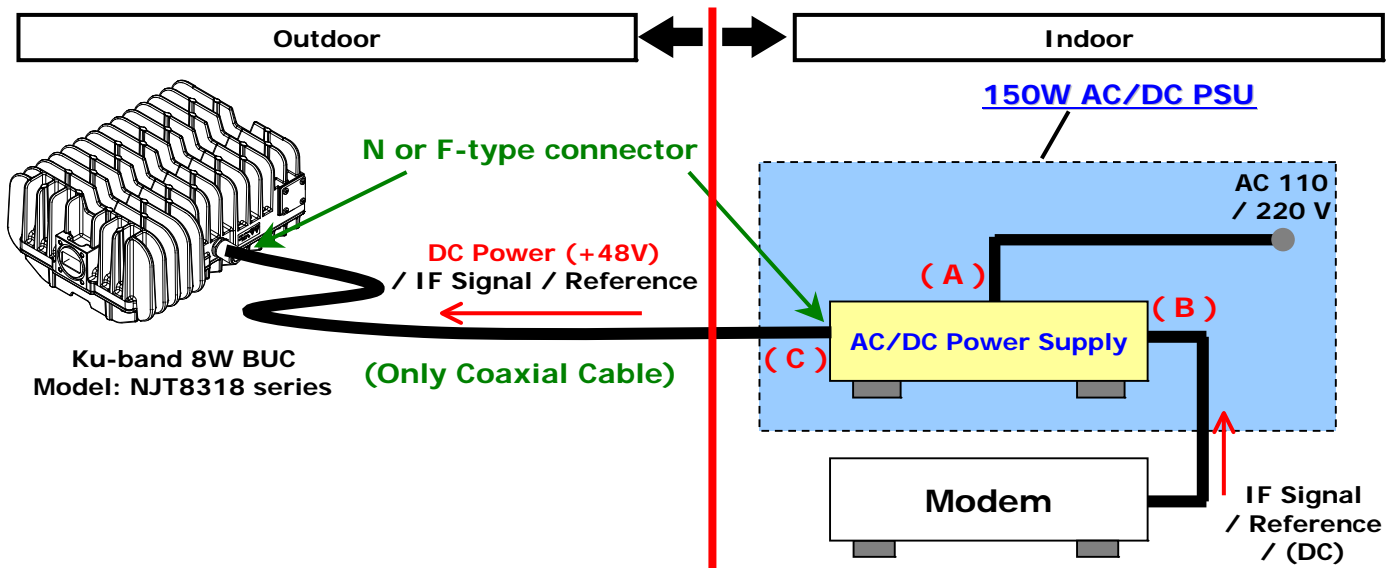
Copyright © 2017 New Japan Radio Co., Ltd.

Universal Ku-band 8W BUC

AC Power Option: Indoor 150W AC/DC Power Supply Unit (PSU)

< Overview of AC Power Option >

- Interface -



- 150W AC/DC PSU -

* The features of 150W AC/DC Power Supply Unit (PSU) is to provide the stable +48V DC power to operate Ku-band 8W BUCs, even if inner power supply of the modem is not capable enough to operate these BUCs.

* The AC/DC box, which is having enough power supply of 150W as well as having the bias-tee which enable to pass 10MHz reference signal and L-band IF signal from the modem, is operated by AC Power and enable to operate these BUCs.

* In addition, the aluminum housing with corrosion-proof treatment on the surface is employed with the box to use perfectly as the indoor unit.



< Specifications >

Item	Specifications	
Interface	AC Input	IEC320-C14 inlet
	IF/Ref./ (DC) Input	N-type, female (50 ohm) / F-type, female (75 ohm)
	IF/Ref./DC Output	N-type, female (50 ohm) / F-type, female (75 ohm)
Input AC Voltage Range	Rated Range	100 to 240 VAC
	Absolute Maximum Rating	90 to 264 VAC
Input AC Frequency Range	50 / 60 Hz	
Output Voltage / Power	+48 VDC +/- 10 % / 150 W max.	
Efficiency	80 % typical at 120 VAC, full load	
Power Factor	0.98 typical at 120 VAC, full load	
IF Frequency	950 to 1,700 MHz	
IF Insertion Loss	1 dB max.	
IF Input/Output VSWR	1.5 : 1 max.	
Standard	EN55022, EN55024, EN60950-1, EN61000-3-2/3, EN62311	
Temperature Range (ambient)	0 to +50 °C (operating), -30 to +85 °C (storage)	
Cooling	Forced Air by Fan	
Dimension & Housing (without Interface Connectors / Switch)	290 mm (W) x 230 mm (D) x 44 mm (H) [11.41" (W) x 9.06" (D) x 1.73" (H)]	
Weight (without Cable)	1.6 kg [3.5 lbs]	
Accessories	Coaxial cable of 1 m, AC power cable of 1 m, 1U rack mount kit (Option)	

(6/8)

*Note: The contents of this sheet are subject to change without notice.

Rev.05(May 2017) UniKu 8W BUC_NJT5218

JRC New Japan Radio Co., Ltd.

Microwave Division

URL: <http://micro.njr.com> email: mcsales@njr.co.jp

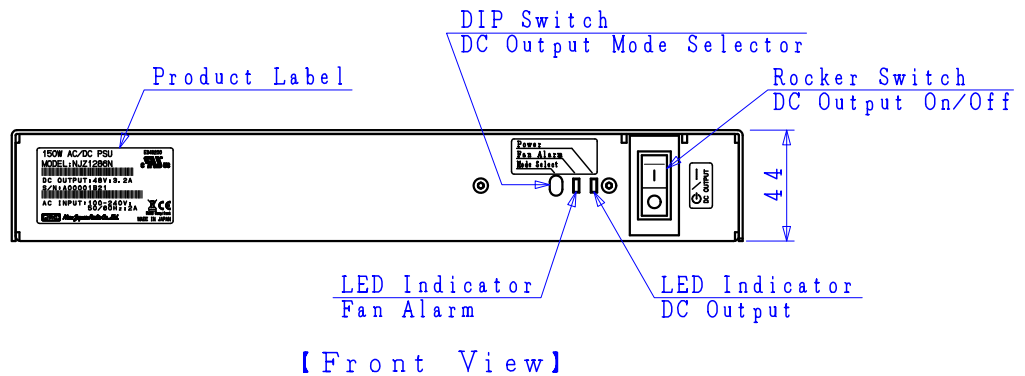
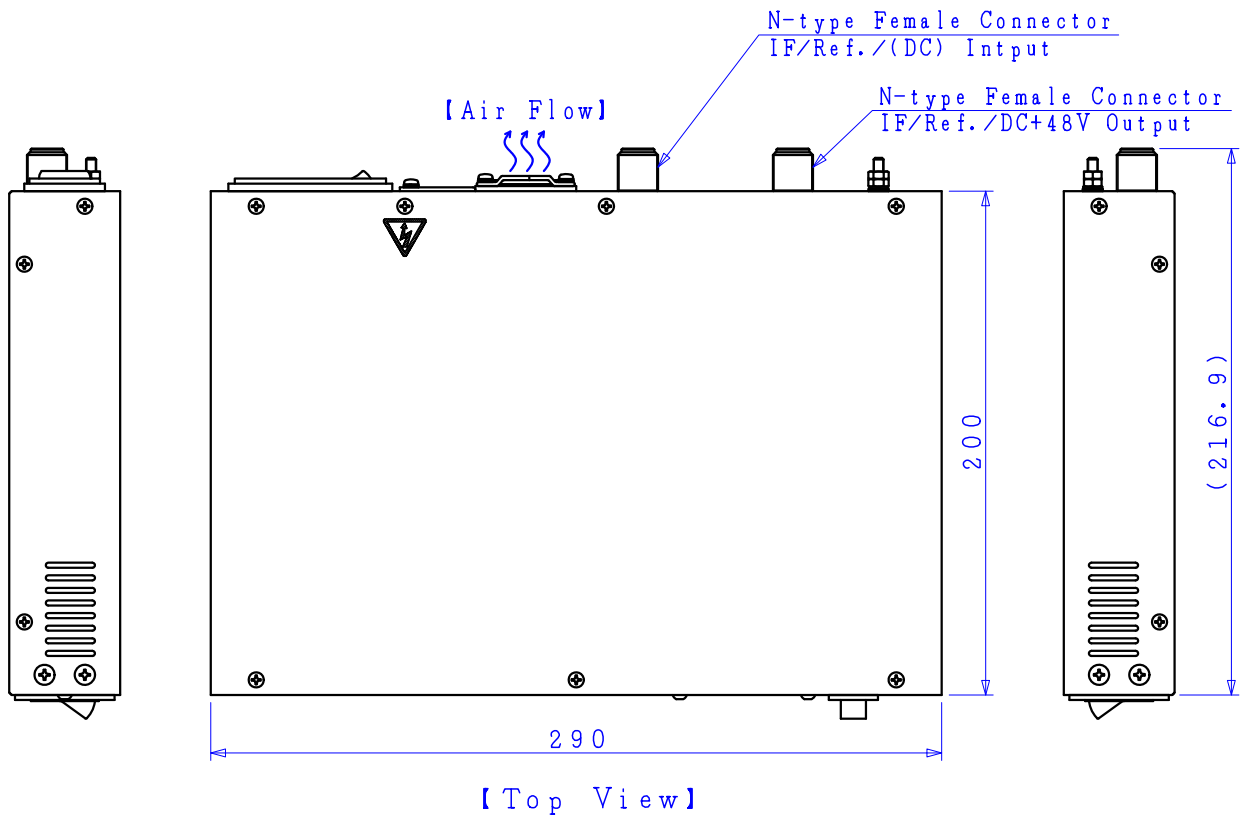
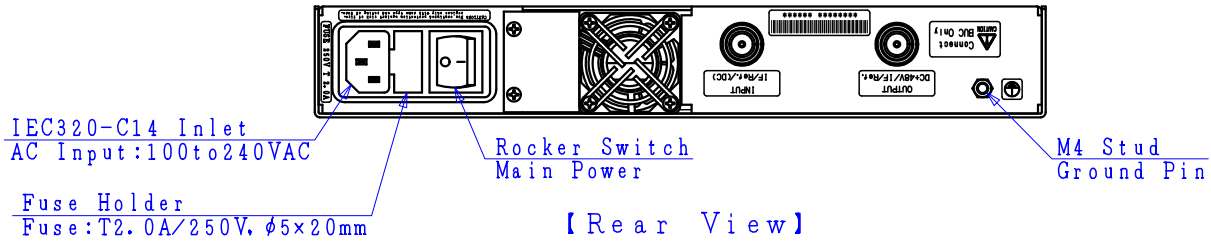
Copyright © 2017 New Japan Radio Co., Ltd.

■ Universal Ku-band 8W BUC

AC Power Option: Indoor 150W AC/DC Power Supply Unit (PSU)

< Outline Drawing >

N-type, female Connector Model (AC/DC PSU)



UNIT : mm

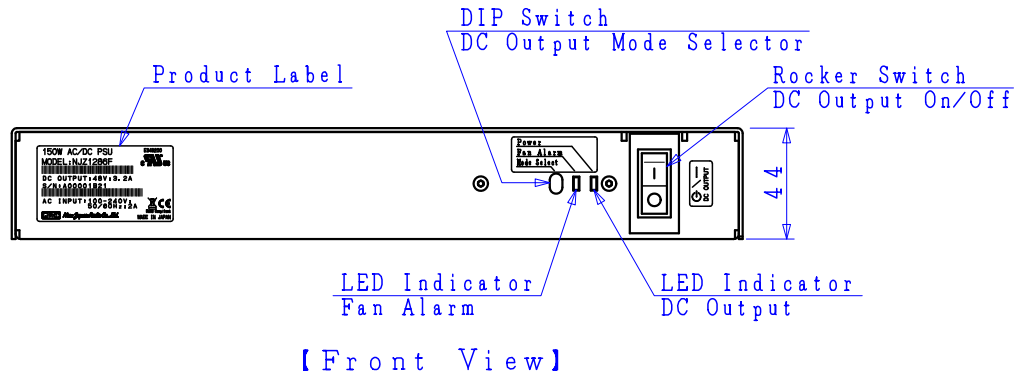
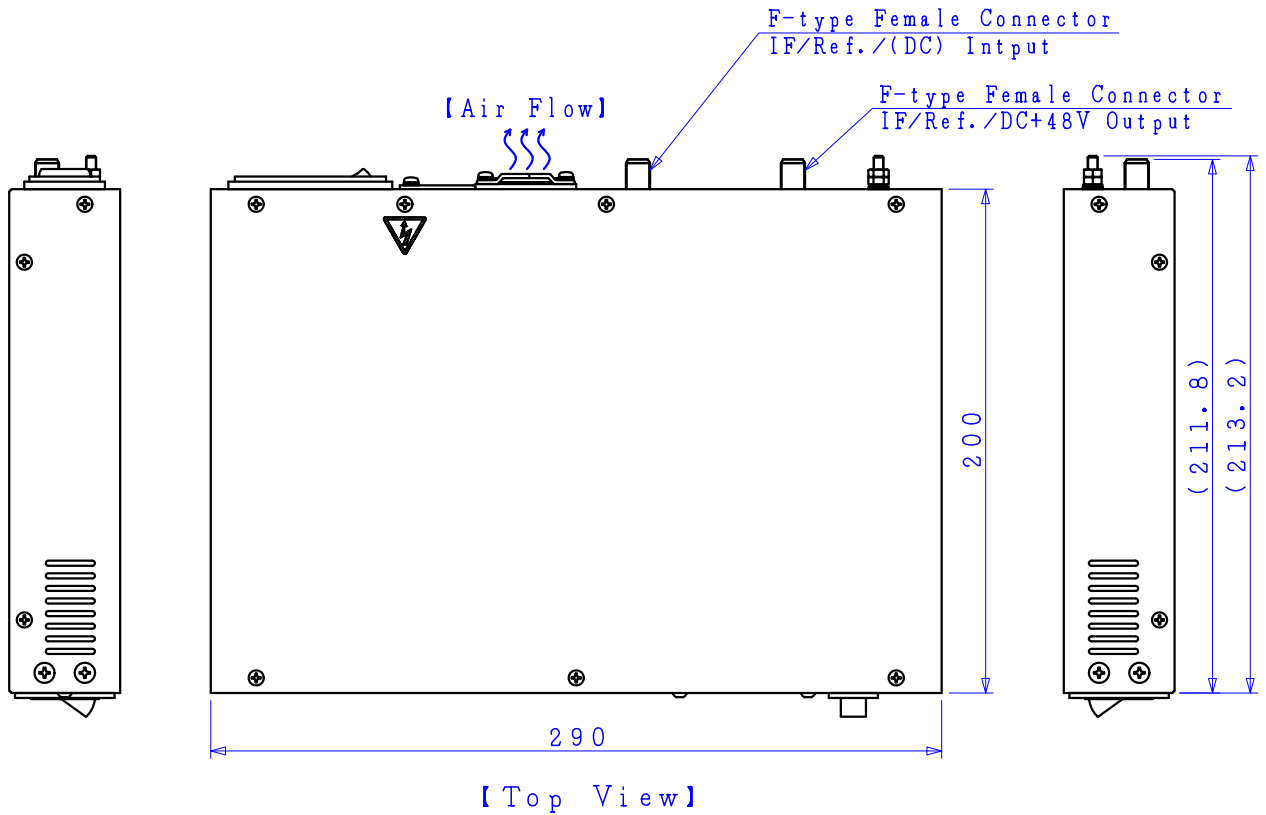
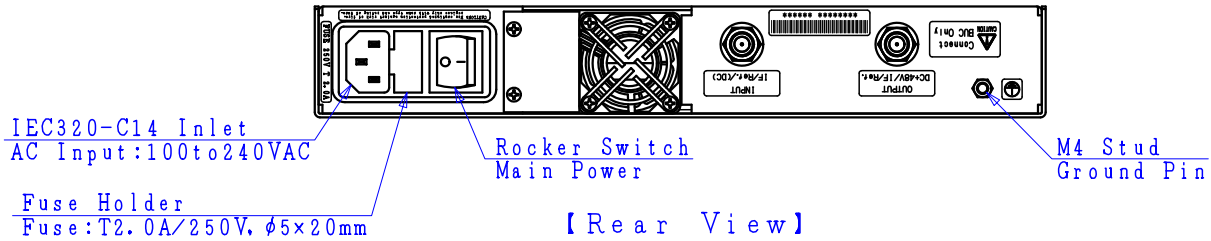
*Note: The contents of this sheet are subject to change without notice.

■ Universal Ku-band 8W BUC

AC Power Option: Indoor 150W AC/DC Power Supply Unit (PSU)

< Outline Drawing >

F-type, female Connector Model (AC/DC PSU)



UNIT : mm

*Note: The contents of this sheet are subject to change without notice.