



First QUATTRO with high LO Stability.



For optimal performance and reliability in reception of Low- and High band transmissions simultaneously, as well as both Vertical- and Horizontal polarizations, SMW has designed a Quattro based on individually tested and adjusted components. The professional Quattro consists of two professional WDL PLL-LNBs and one ortho mode transducer (OMT) protected under a plastic cover.

Comes standard with high LO stability, low phase noise and low noise figure.

All our LNBs are individually hand tuned to get the very best performance available for each unit. Quality and long term reliability is also essential. Therefore are all LNBs tested according to a very extensive test program, which includes heating, cooling, water-proof testing and rigorous electrical testing.

Swedish Microwave was founded 1986 and is today a leading manufacturer of professional LNBs (Low Noise Block converters). The company is located in Motala Sweden, and to date the products are installed in more than 100 countries.

All work is in-house allowing custom-design products, short delivery times, high flexibility, quick service and support.

SPECIFICATION SMW QUATTRO-PLL

Frequency range Low & High	10.7 - 11.7 / 11.7 - 12.75 GHz
LO frequency	9.75 GHz (Low band) 10.6 GHz (High band)
Output frequency	950 - 1950 MHz (Low band) 1100 - 2150 MHz (High band)
Spurious signals in low band	-60 dBm typ. @ 1700 MHz
high band	-70 dBm typ. @ 1700 MHz
Gain typ.	57 dB (50 dB min.)
Gain variation max.	±4 dB/each band ±0.4 dB within 30 MHz
Noise figure, typ.	1.2 dB
LO radiation	-60 dBm
Image rejection	40 dB min.
P1dB typ.	+15 dBm
IP3 typ.	+25 dBm
Input flange	Circular waveguide 18 mm (see OMT drawing below)
Cross polarization	31.5 dB min.
DC power	12-20 V / 370 mA max. on each polarization (either one output or both outputs)
Operating temperature	-40 to +80 °C
Storage temperature	-40 to +80 °C
Output connectors (waterproof)	F-connectors 75 ohm or N-connectors 50 ohm
Input VSWR	1.5:1 max
Output VSWR	2:1 max
Dimensions	154 x 76 x 206 mm
Weight	1162 g (F-connectors) 1231 g (N-connectors)

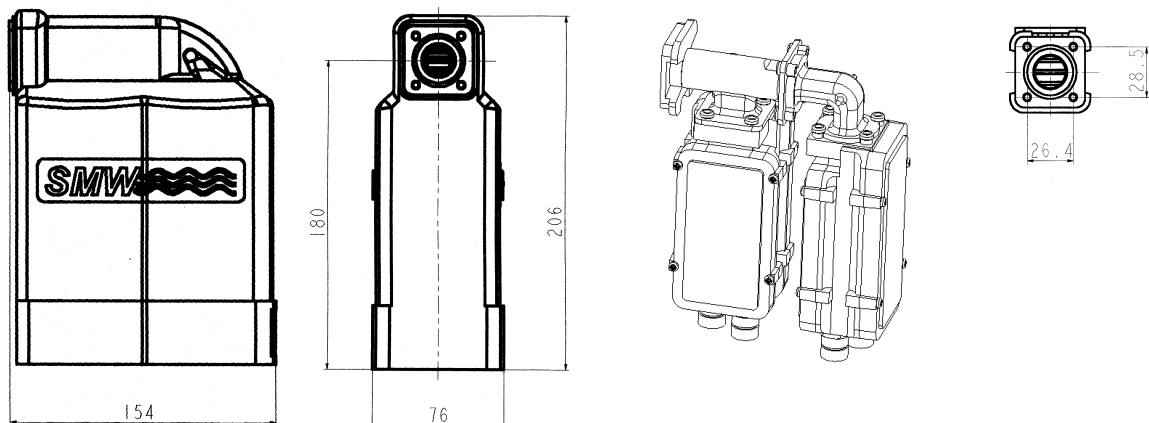
Internal reference

LO stability (over temp.*)	±10 kHz (±1 ppm) or ±25 kHz (±2.5 ppm)
LO Phase noise typ.	-75 dBc @ 1 kHz -78 dBc @ 10 kHz -90 dBc @ 100 kHz -120 dBc @ >1 MHz

Enclosed accessories

O-ring
Adapter C120/C120

*±25 kHz within -40 ° to +60 °C
±10 kHz within -10 ° to +70 °C



Specifications are subject to change without notice. General terms Orgalime S 2000. Products from Swedish Microwave AB are made for commercial use.

2011-12-08