

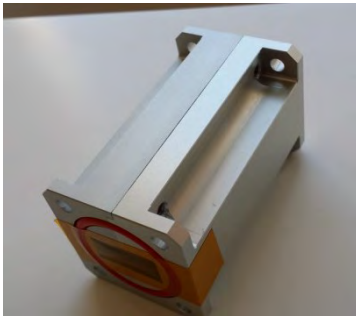
RQT Ku band TRF V2

Ku band transmit reject filter

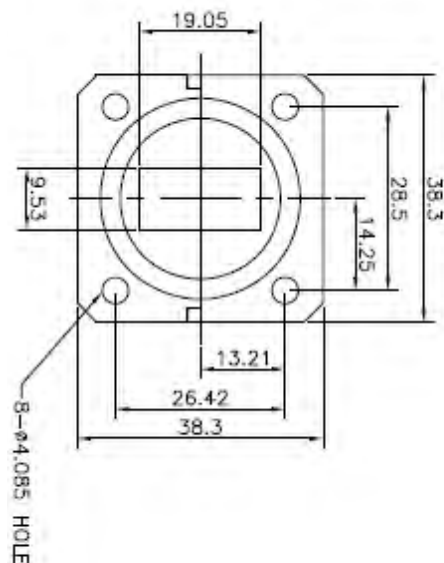
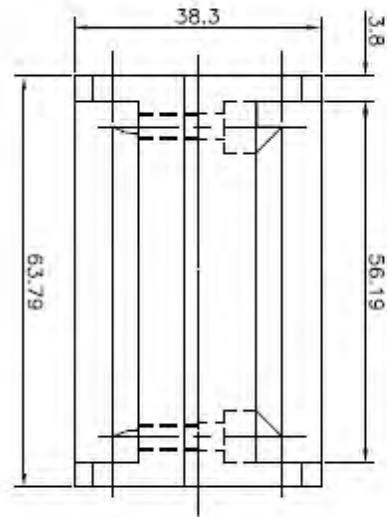
RQT-KuTRF-V2 Transmit reject filter For Ku band operation.

This filter manufacturing is thoroughly tested and proves high quality and excellent product finish.

This compact and robust construction has been a popular design within the satellite communication industry.



Drawings (mm)



Technical specifications

Parameters	Values
Pass band	10.7 - 10.95 GHz
Reject band	13.0 -13.25 GHz
Insertion loss pass band	< 0.1 dB
Return loss pass band	25 dB
Rejection	80 dB
Flanges WR75 grooved with gasket	
Hole size M4	
Length	63.8 mm

requitech 