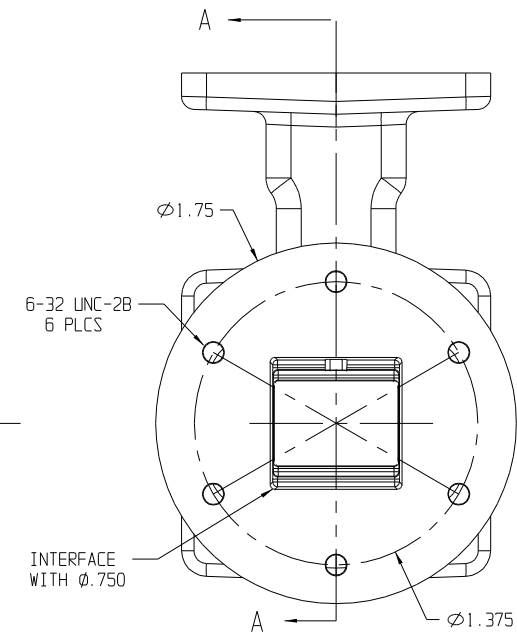
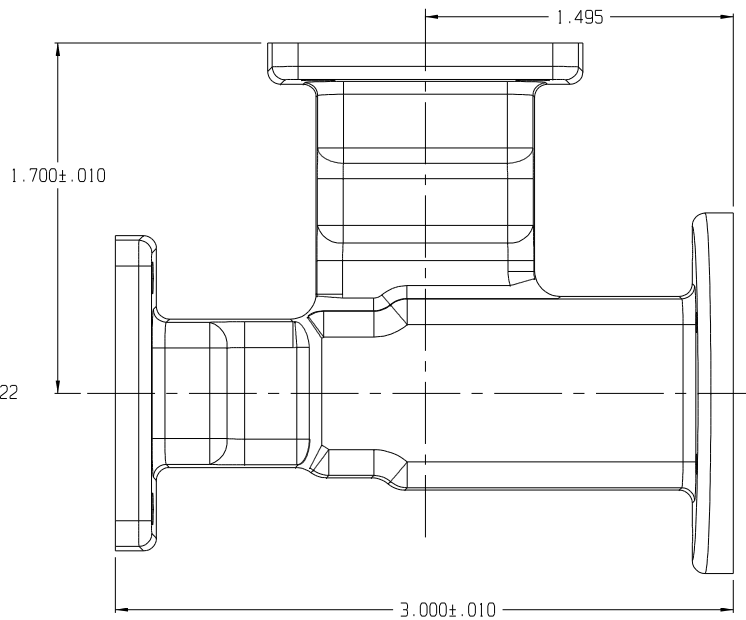
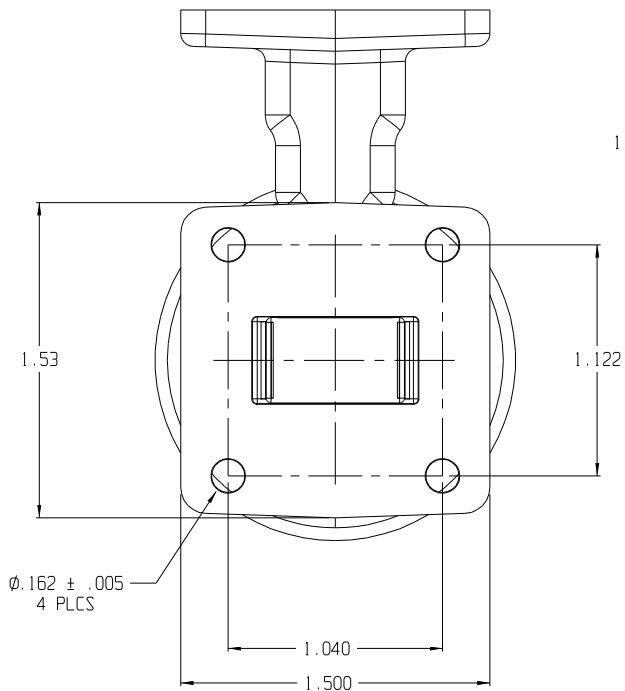
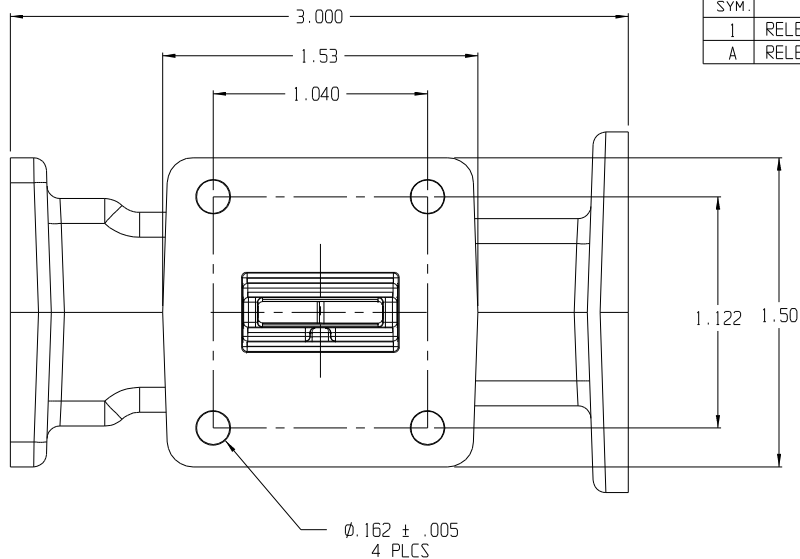


SPECIFICATIONS	
P/N	4080-259
PORTS	2
FREQUENCY	SIDE: 10.7 - 12.75 GHz THRU: 10.7 - 14.5 GHz
RETURN LOSS	SIDE: 17.7 dB THRU: 20 dB
INSERTION LOSS	0.1dB
ISOLATION	35 dB
XPOL	SIDE: 30 dB THRU: 35 dB
f/D	N/A

REVISIONS			
SYM.	DESCRIPTION	DATE	APPD
I	RELEASED FOR REVIEW		
A	RELEASED FOR TOOLING	5/9/08	ABR



DIMENSIONS ARE IN DECIMAL INCHES, UNLESS OTHERWISE NOTED
TOLERANCES ON FINISHED DIMENSIONS ARE AS FOLLOWS:
.X = ± .05 .XXX = ± .005
.XX = ± .02 ANGULAR ± .25°

Prodelin's drawings, sketches, computer programs, plans, specifications, technical data, prototype products, blueprints, photographs, instructions, diagrams, models, formulae, tables, engineering designs, diskettes, tapes, software, other electronic media (defined to include, but not be limited to, the system functional design, logic flow, algorithms, application programs, operating systems, software design implementation, tests, test results, operation, diagnosis, repair...) and/or documents (collectively "Proprietary Materials") are confidential and proprietary in nature and are considered by it to constitute "trade secrets" as defined by N.C. Gen. Stat. §86-152 (3)(a) and (b) of the North Carolina Uniform Trade Secrets Act, by the Uniform Trade Secrets Act and by any other states/countries' Trade Secrets Acts regardless if some of the information or documents that were incorporated into such drawings, sketches, computer programs, plans, specifications, technical data, prototype products, blueprints, photographs, instructions, diagrams, models, formulae, tables, engineering designs, diskettes, tapes, software, other electronic media (defined to include, but not be limited to, the system functional design, logic flow, algorithms, application programs, operating systems, software design, implementation, tests, test results, operation, diagnosis, repair...) and/or documents or other information that was incorporated into the Proprietary Materials came from a customer or third party and whether such Proprietary Materials do or do not constitute intellectual property, patent, trademark or copyright rights or material. THESE "PROPRIETARY MATERIALS" MAY NOT BE COPIED, REPRODUCED, DISCLOSED OR DISTRIBUTED IN WHOLE OR IN PART TO OTHER PARTIES EITHER VERBALLY OR IN WRITING WITHOUT PRIOR WRITTEN APPROVAL BEING OBTAINED FROM THE PRODELIN DOCUMENTATION SUPERVISOR OR A DULY AUTHORIZED REPRESENTATIVE.



TITLE			
CASTING, KU DMT			
NEXT ASS'Y	BY KLM	CODE IDENT. NO. 94661	REV.
DRAWN 5/22/08	BY	T00523	A
CHECKED	BY		
ENGR.	BY		
MFG APVD N/A	BY	SCALE 2=1	SH. 1 OF 2